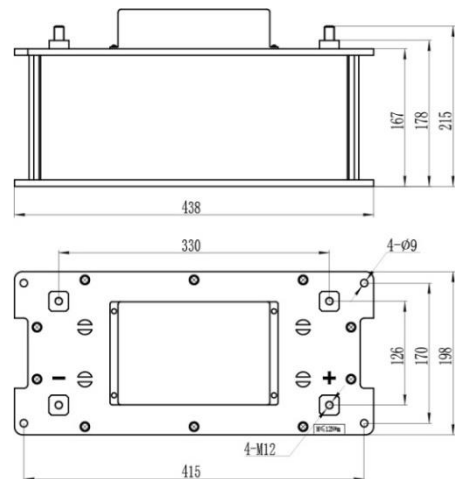


Product Specification of MUCK24V2870

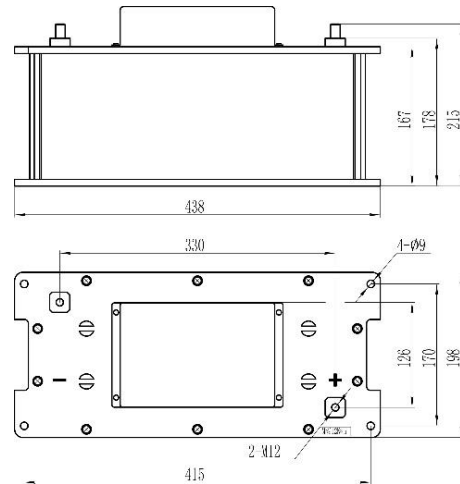
Parameter Name	Parameter value
Cell Connection Type	3 parallel 6 series
Operating Voltage Window (V)	16.8~24.3
	17.1~22.8
Nominal Capacitance (F)	14000
Surge Voltage(V)	25
AC Resistance(mΩ)	0.9
DC Resistance(mΩ)	1.8
Stored Energy (Wh)	650 (16.8V~24.3V)
	396 (17.1V~22.8V)
Standard Charge/Discharge Current (A)	450
Maximum Charge/Discharge Current(<20s) (A)	840
Operating Temperature (oC)	-25~+55
Storage Temperature (oC)	-30~+60
Weight (kg)	19



Dimension of MUCK24V2870

Product Specification of MUCK72V2870

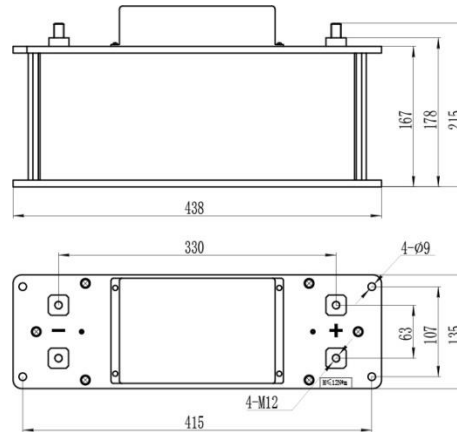
Parameter Name	Parameter value
Cell Connection Type	18 series
Operating Voltage Window (V)	50.4~72.9
	51.3~68.4
Nominal Capacitance (F)	1560
Surge Voltage(V)	75
AC Resistance(mΩ)	7
DC Resistance(mΩ)	14
Stored Energy (Wh)	650 (50.4~72.9V)
	396 (51.3~68.4V)
Standard Charge/Discharge Current (A)	150
Maximum Charge/Discharge Current(<20s) (A)	280
Operating Temperature (oC)	-25~+55
Storage Temperature (oC)	-30~+60
Weight (kg)	19



Dimension of MUCK72V2870

Product Specification of MUCK24V1910

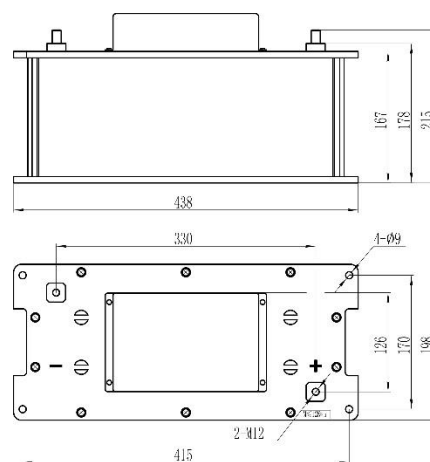
Parameter Name	Parameter value
Cell Connection Type	2 parallel 6 series
Operating Voltage Window (V)	16.8~24.3
	17.1~22.8
Nominal Capacitance (F)	9333
Surge Voltage(V)	25
AC Resistance(mΩ)	1.2
DC Resistance(mΩ)	2.4
Stored Energy (Wh)	438 (16.8V~24.3V)
	264 (17.1V~22.8V)
Standard Charge/Discharge Current (A)	300
Maximum Charge/Discharge Current(<20s) (A)	560
Operating Temperature (oC)	-25~+55
Storage Temperature (oC)	-30~+60
Weight (kg)	13



Dimension of MUCK24V1910

Product Specification of MUCR48V196

Parameter Name	Parameter value
Nominal Capacitance(F)	166
Nominal Voltage(V)	48
Surge Voltage(V)	51
AC Resistance(mΩ)	4.5
DC Resistance(mΩ)	5.0
Rated Stored Energy(Wh)	54
Maximum Continuous Current($\Delta T=15^{\circ}\text{C}$)(A)	77
Maximum Continuous Current($\Delta T=40^{\circ}\text{C}$)(A)	130
Maximum Pulse Current(<1s)(A)	1900
Cycle Life(cycles)	1,000,000(24-48V)
Weight (kg)	13.5
Operating Temperature($^{\circ}\text{C}$)	-40 ~ +65
Storage Temperature($^{\circ}\text{C}$)	-40 ~ +70
Allowed Maximum Torque of Terminal(N · m)	≤ 12
Nominal Capacitance(F)	166



Dimension of MUCR48V196A